

Required upgrade for your TTx machine.

The **interroll drum motor** of your TTx machine is now obsolete.

The interroll drum motor of your TTx machine is now obsolete and no longer deliverable in case of failure. To ensure your production and to prevent machine downtimes, we are pleased to provide you the latest upgrade for your machine.

With this upgrade, the chassis and pulley of your machine are converted at the exit of the conveyor so that a new drum motor can be used.

OUR SOLUTION

- ❑ Converting the TTx's chassis and pulley at the exit conveyor
- ❑ Conversion allows the installation of a new drum motor

Delivery contents:

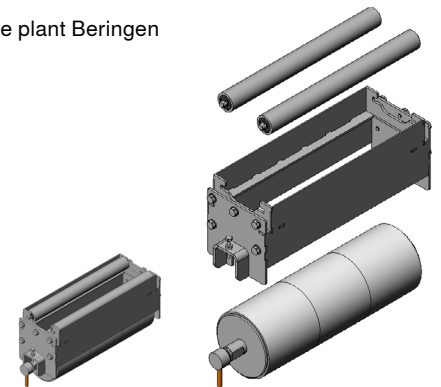
- ❑ Drum motor
- ❑ Chassis for drum motor
- ❑ 2 pulleys
- ❑ Documentation update
- ❑ Engineering and project management

Installation information

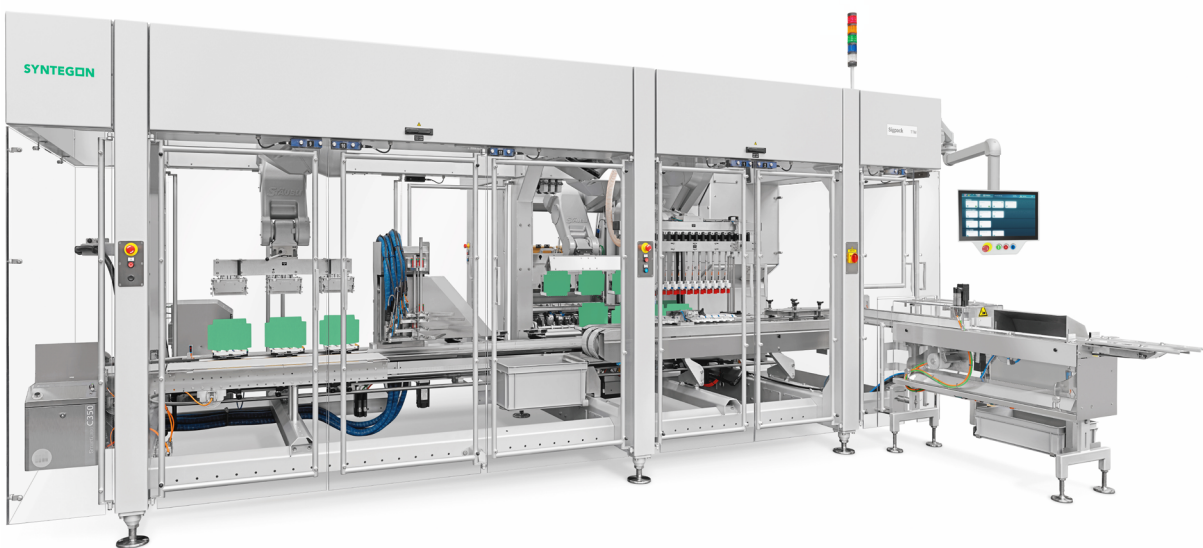
- ❑ Duration: Approx. 1 working day per machine
- ❑ Production shutdown: Approx. 0.5 working days per machine

Suitable machines

- ❑ TTx machines from the plant Beringen



Sketch of an interroll drum motor.



We are pleased to implement this upgrade on site for you. Please contact us for a personal consultation. Your local Syntegon partner will answer any of your questions about this upgrade and our broad offer of additional after-sales services.

Find your local contact partner:

www.syntegon.com/services