

TTM Closer Glue Station Upgrade.

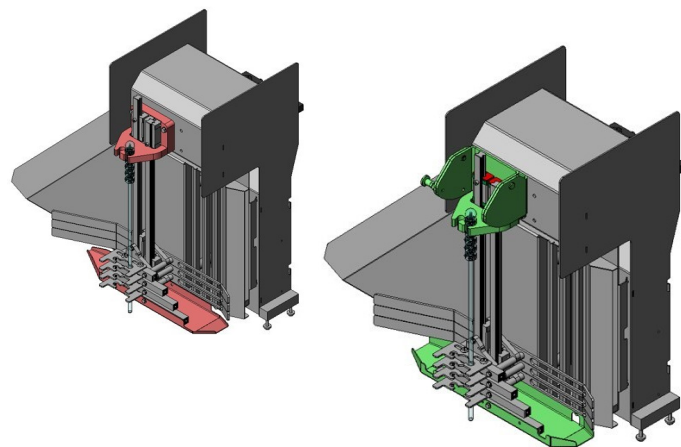
Easier maintenance and less downtime.

The **TTM Closer Glueing Station Upgrade** allows easier, more effective cleaning. Replacing individual components of the already installed glueing station, this upgrade enables free movement of glue heads, side guide and the glue collecting plate. Their position is defined by a locking pin to ensure correct repositioning upon maintenance.

You will save downtime and benefit from easier access during the cleaning process of your TTM machine.

Delivery contents:

- 1 Bracket
- 1 Metal sheet
- 1 Support right
- 2 Axes
- 1 Locking pin
- 1 Cone stop buffer
- Documentation
- Engineering
- Project management



Before (red) and after (green): the highlighted components of the glueing station will be replaced for free movement and easier access.

YOUR BENEFITS

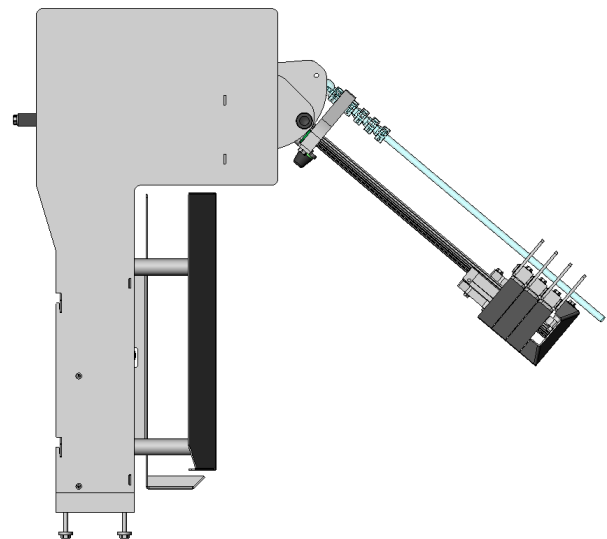
- Improved access of the TTM's Glueing Station components for easier, more effective cleaning
- Increased efficiency and flexibility
- Reduced downtime during cleaning

Installation information:

- 1 Syntegon Service mechanic needed
- Duration: approx. 0.5-1 working days per machine

Suitable machines:

- TTM1 and TTM2



Glue nozzles and side guides can be moved upwards: for easier access to clean and maintain your TTM.

We are pleased to implement this upgrade on site for you. Please contact us for a personal consultation. Your local Syntegon partner will answer any of your questions about this upgrade and our broad offer of additional after-sales services.

Find your local contact partner:

WWW.SYNTEGON.COM/SERVICES



TTM Maintenance